

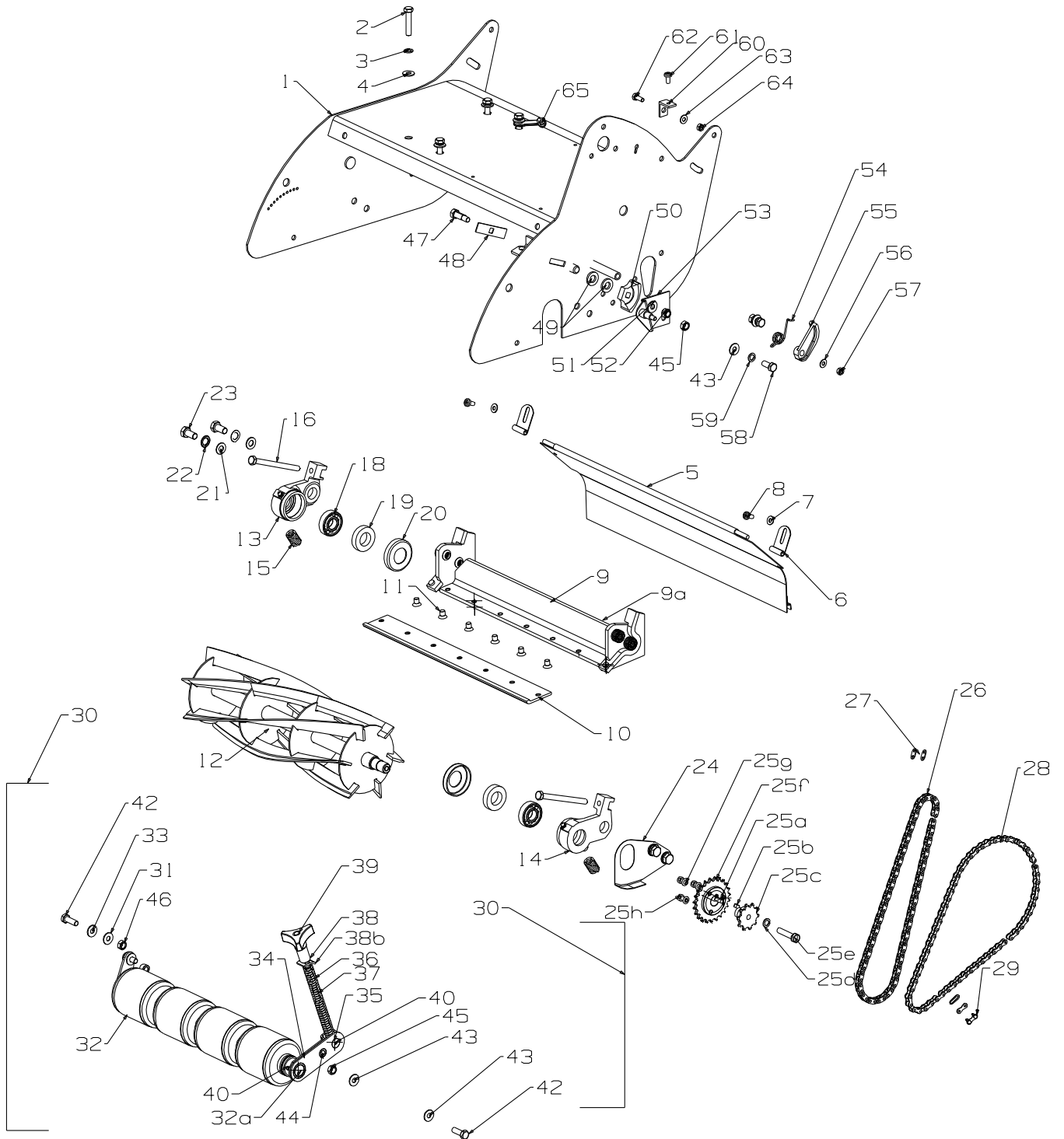
Masport®

EXPORT REEL LAWN MOWERS

MASPORT 400

<u>Part Number</u>	<u>Model</u>	<u>Serial Number</u>	<u>Engine</u>
019026	R/MWR 400 PRR	7091925	B&S 3.5

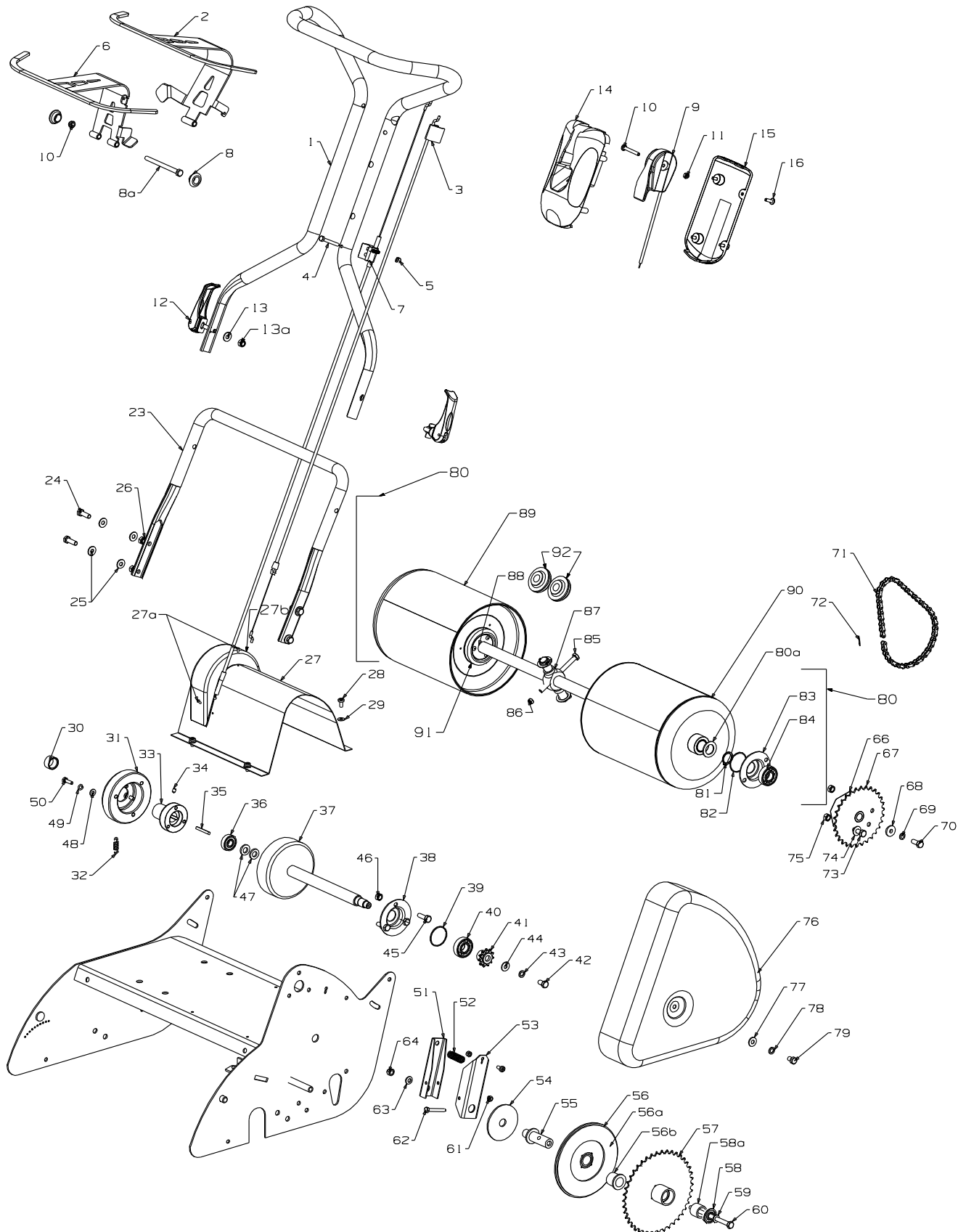




Item No	Part No	Description	Qty	Item No	Part No	Description	Qty
1	031580	Chassis Assy- 400 Green	1				
2	501843	Screw, Set M8x40 Hex	4	26	002835	Chain, 0.23xP 3/8, 75P	1
3	503747	Washer, Spg 8	4	27	731972	Link, Chain 3/8	1
4	501606	Washer, Flt 8x19x1.6	4	28	004299	Chain, 0.205xP 1/2, 59P	1
5	008900	Deflector, Grass- 400	1	29	731971	Link, Chain 1/2	1
6	002589	Bracket, Grass Chute	2			__==__	
7	501703	Washer, Flt 6x14x1.2	2	30	005013	Spindle & Brkt Assy 400	1
8	503591	Screw, Pan M6x12	2	31	*004983	Bracket- Front Roller, RH	1
9	009853	BracketPlate, Blade Assy 400 (incl items,9a,10,11)	1	32	*005476	Front Roller Assy 400	4
9a	009861	Bracket Assy Backplate 400	1	32a	*004976	Spindle Assy Front 400	1
10	009872	Blade, Baseplate 400	1	33	*501432	Washer, Flt 20x33x4.0	2
11	008611	Screw, CSK M8x12 Allen	7	34	*004984	Bracket Assy- Adj, Front Roller	1
12	032013	Cylinder & Assy Cut Key 400	1	35	*004990	Spindle, Trunnion	1
	*032010	Blade Reel 400	6	36	*004988	Spindle- Adj, Front Roller	1
	*032007	Spindle Reel Key	1	37	*004691	Spring- Height Adjust	1
	*002821	Spider Reel 6 Slot	4	38	*031910	Spacer- Knob	1
13	032024	Housing- Assy Bearing, RH	1	38b	*004973	Plate Slipper	1
14	032023	Housing- Assy Bearing, LH	1	39	*574230	Knob- Plastic, M8 Insert	1
15	002581	Spring- Baseplate	2	40	*007496	Pin, Tension 6.0x30	2
16	006282	Bolt, Set NF 5/16"x4" Hex	2	42	*501598	Screw, Set M8x25 Hex	2
17	007240	Nut, NF 5/16 Hex Nyloc Type "P"	2	43	*501606	Washer, Flt 8x19x1.6	6
18	503273	Bearing, Ball 17x40x12 6203 2S	2	44	*004991	Bush- Pivot, Front Roller	2
19	002583	Seal- Felt	2	45	*501602	Nut, M8 Hex	3
20	005211	Cover- Dust, Cylinder Bearing	2	46	*501597	Screw, Set M8x20 Hex	1
21	501704	Washer, Flt 10x19x1.6	4			__==__	
22	503897	Washer, Spg 10	4	47	002848	Bolt- Adjuster, Chain	1
23	501760	Screw, Set M10x20 Hex	4	48	002845	Sealplate- Chain Adjuster	1
24	002561	Plate- Seal, Chaincase	1	49	006028	Washer, Flt 12x22x3.0	4
25	032006	Sprocket Assy10/23 Key (incl items 25a-25f)	1	50	002844	Adjuster- Chain, Fixed Nylon	1
25a	*032005	Key 5x5x16	1	51	501606	Washer, Flt 8x19x1.6	1
25b	*032004	Key 5x5x10	1	52	501793	Nut, M8 Hex Nyloc 8 Thck	1
25c	*032002	Sproket 10T	1	53	004942	Plate Assy, Mounting	1
25d	*503747	Washer Spg 8	1	54	004945	Spring	1
25e	*501843	Screw Set M8 x 40	1	55	004963	Adjuster- Chain, Tension Nylon	1
25f	*032045	Sprocket Assy - 23 Key (incl items 25f,25g and 25h)	1	56	501703	Washer, Flt 6x14x1.2	1
25f	*032003	Sproket 23T	1	57	501764	Nut, M6 Hex Nyloc 6 Thck	1
25g	*502004	Screw,Cap M6x12	3	58	501597	Screw, Set M8x20 Hex	1
25h	*500201	Washer,Spg	3	59	501703	Washer, Flt 6x14x1.2	1
	*032001	Boss Sprocket Key	1	60	031915	Bracket- Chain Cover	1
				61	503591	Screw, Pan M6x12	1
				62	501702	Screw, Set M6x15 Hex	1
				63	501703	Washer, Flt 6x14x1.2	1
				64	501764	Nut, M6 Hex Nyloc 6 Thck	1
				65	581527	Retainer, Clutch Cable	1

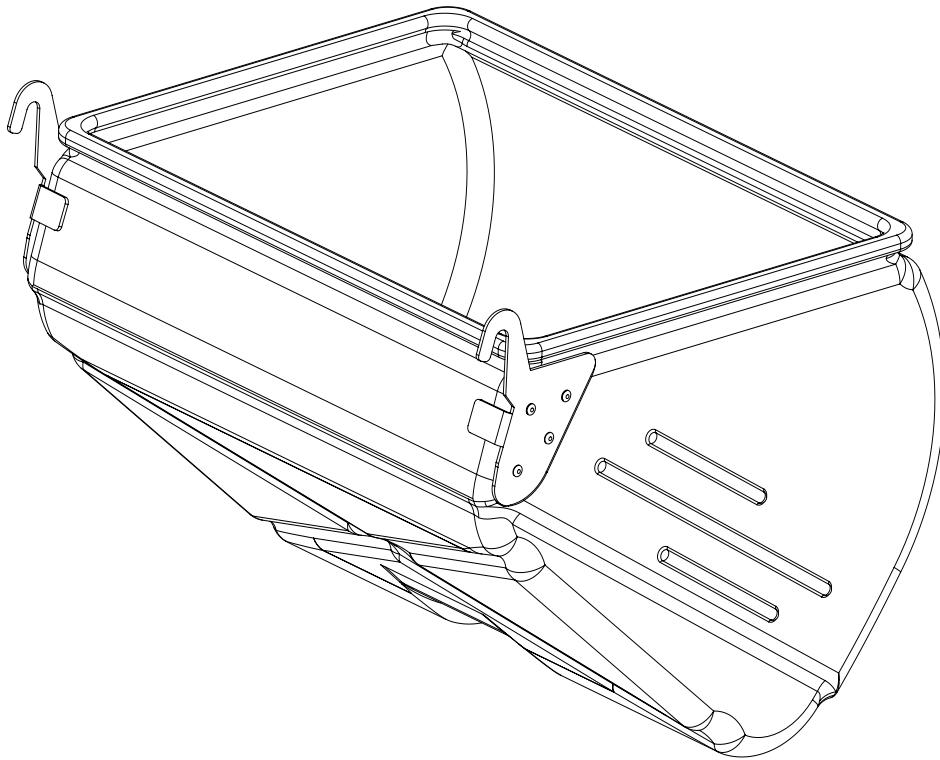
Bold Text = Assemblies

Bulleted Text = Items included in Assemblies



Item No	Part No	Description	Qty	Item No	Part No	Description	Qty
1	731847	Handle Upper R/MWR	1	45	501597	Screw, Set M8x20 Hex	3
2	579279	Bail Arm Assy, SP MSV	1	46	501602	Nut, M8 Hex	3
3	031990	Cable- Clutch, Thumb Wheel	1	47	006028	Washer, Flt 12x22x3.0	2
4	503558	Screw, Set M6x45	1	48	501703	Washer, Flt 6x14x1.2	3
5	501764	Nut, M6 Nylocx 6 Thck	1	49	500201	Washer, Spg 6	3
6	579278	Bail Arm Assy, OPC	1	50	503223	Screw, Set M6x16 HT8.8	3
7	031878	Cable- Engine, OPC	1			__==__	
8	503882	Grommet Blanking 3/4"(19mm)	2	51	031831	Lever- Clutch	1
8a	503883	Bolt Hex M8 x 100	1	52	031845	Spring- Clutch	1
9	583458	Control- Throttle,Hsng Wscn	1	53	031830	Lever Carrier- Clutch	1
10	503604	Screw, Pan M6x45	1	54	031843	Washer. FLT 16.5x75x3.0	1
11	501764	Nut, M6 Nylocx 6 Thck	1	55	031840	Post- Clutch	1
12	779755	Cam Lock Assy	2	56	031986	Sprocket- Clutch Plate Assy	1
13	501606	Washer, Flat 8x19x1.6	2	56a	031987	Liner- Clutch Face Cork	1
13a	501793	Nut M8 Hex Nylocx Thck	2	57	031963	Sprocket- 42T, Plate & Boss Assy	1
14	583442	Mount Throttle, Top Plain	1	58	503901	Bearing, Ball 12x28x8 6001 2RSH	1
15	583340	Cover Throttle Bottom	1	58a	031834	Bush Sprocket	1
16	503650	Screw; S/T 12x11/16"	4	59	031965	Washer- Centralizing Brass	1
		__==__		60	503938	Bolt, M8x120 Hex	1
23	031848	Handle- Lower, 400	1	61	501764	Nut, M6 Nyloc 6 Thck	1
24	501597	Screw, Set M8x20	4	62	580160	Screw, Set M6x50 Hex	1
25	501606	Washer, Flat 8x19x1.6	4	63	031842	Washer, Thrust	1
26	501793	Nut, M8 Nylocx 8 Thck	4	64	501793	Nut, M8 Hex Nyloc 8 Thck	1
		__==__				__==__	
27	031908	Cover- Trans, 400GRN	1	66	002618	Plate- Seal, Bearing	1
27a	503429	Rivet Pop 3.2 x4.8 73 AS4-3	4	67	002604	Sprocket & Boss Assy, Rear Roller	1
27b	031907	Cover Trans Moulded	1	68	503872	Washer, Flt 8x20x3.0	1
28	580540	Screw, S/T M5x10	4	69	503747	Washer, Spg 8	1
29	501703	Washer, Flt 6x14x1.2	4	70	501717	Screw, Set M8x20 1mm Pitch	1
30	031958	Spacer- Drive Shaft, 13mm	1	71	004929	Chain, 3/16" x 1/2, 40P	1
31	031912	Clutch- Drive Assy	1	72	*731971	Link, Chain 1/2	1
32	*005634	Clutch Spring	3	73	501597	Screw, Set M8x20	2
33	031913	Boss- Clutch, 19 Dia B&S	1	74	501606	Washer, Flt 8x19x1.6	2
34	501719	Screw, Grb M6x8	2	75	501602	Nut M8 Hex	2
35	536178	Key- Engine 3/16"SQ x 24	1	76	031585	Cover - Chaincase- Green	1
36	501213	Bearing, Ball 12x32x10 6201 2RS	1	77	501606	Washer, Flt 8x19x1.6	1
37	031579	Drum Assy, Clutch 400	1	78	503747	Washer Spg 8	1
38	002834	Housing- Bearing	1	79	501863	Screw Set, M8x12	1
41	002818	Sprocket- 11T, Drive	1				
42	501715	Screw, Set M8x15 1mm Pitch	1				
43	503747	Washer, Spg 8	1				
44	501606	Washer, Flt 8x18x1.6	1				

Item No	Part No	Description	Qty
80	031916	Rear Roller Assy, Complete 400	1
80a	*002732	Washer Flt 22x40x2.0	2
81	*007260	Circlip; 7/8" Ext Din	2
82	*004292	Ring Bearing Housing	2
83	*000409	Housing Bearing	2
84	*503273	Brg Ball 17x40x12	2
85	*503508	Screw Pan M6x55	1
86	*501764	Nut M6 Hex Nyloc	1
87	*008943	Carrier Bevel Pinion	1
88	*004834	Spindle Rear Roller	1
89	*031954	Roller Rear Half RH	1
90	*031917	Roller Rear, Half LH	1
91	*002707	Gear-Bevel,24T	2
92	*002708	Pinion Bevel,14 T	2
NOT ILLUSTRATED			
	031880	Safety Switch Housing	1
	031881	Safety Switch Cover	1
	031885	Safety Switch Lever Arm	1
	031992	Owners Manual	1
	031886	Spring	1
	031883	Washer Fibre	1
	031884	Washer Fibre	1



731581 Catcher Assy, 400 Steel Green 1